

WIRELESS HDMI

by Francis Chao
fchao2@yahoo.com



An International
Association of Technology
& Computer User Groups

Virtual Technology Conference
August 15, 2015



Web location for this presentation

<http://aztcs.org>

Click on “**Meeting Notes**”

SUMMARY

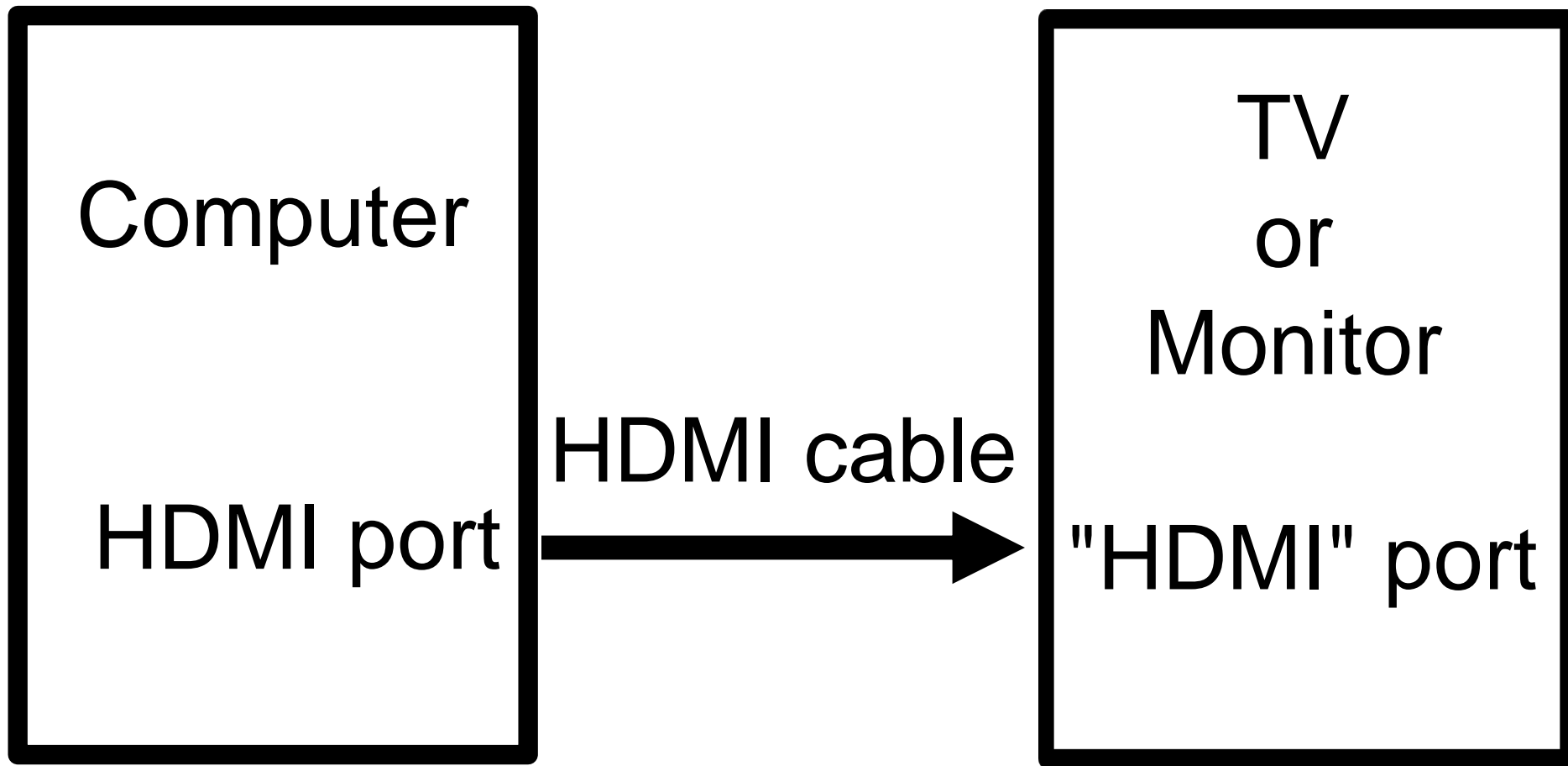
Using "wireless HDMI" you can wirelessly connect your Windows.. computer to a television or a monitor

TOPICS

- (Wired) HDMI
- Wireless HDMI

(WIRED) HDMI

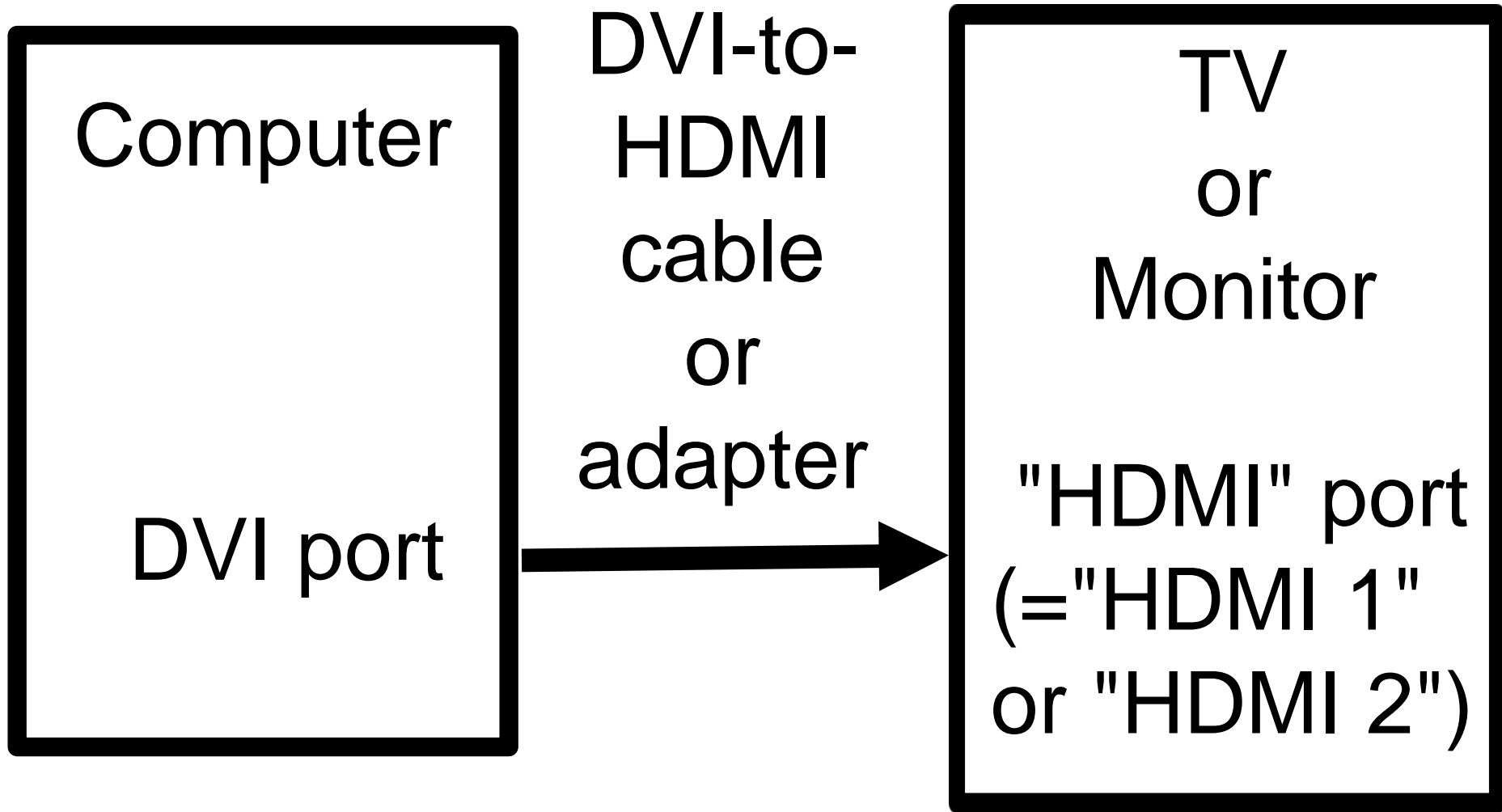
- "HDMI" stands for "High Definition Multimedia Interface"
- An HDMI cable carries both the video signal and the sound from the computer to the TV or monitor



The TV is a monitor for the computer.
Sound is transmitted to the TV.

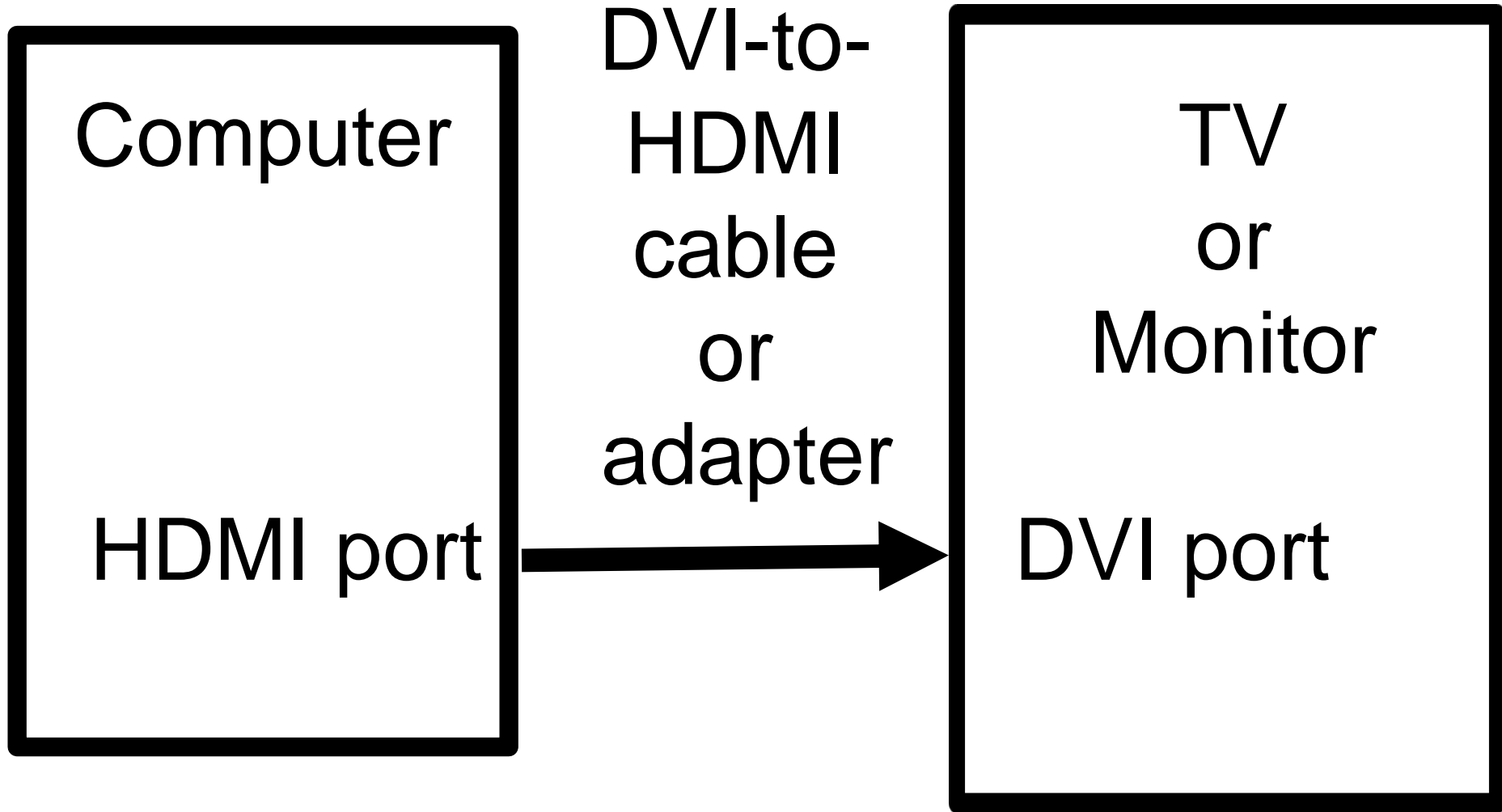
(WIRED) HDMI

- A conversion between HDMI and DVI is easy:
- Use a conversion cable or a conversion adapter.
- No active electronics is needed to make the conversion.



The TV is a second monitor for the computer.

No sound is transmitted to the TV.



The TV is a second monitor for the computer.

No sound is transmitted to the TV.

(WIRED) HDMI

- HDMI cables have a maximum usable length of between 15 and 25 feet.

WIRELESS HDMI

- You can replace a HDMI cable by doing the following:
- Place a wireless HDMI transmitter at the computer end and
- Place a wireless HDMI receiver at the monitor or TV end

Computer

HDMI
transmitter
connected
to a
HDMI port

Low-
powered
5 GHz
radio
signals
extend the
HDMI
connection



TV
or
Monitor

HDMI
receiver
connected
to a
HDMI port

The TV is a second monitor for the computer.
Sound is transmitted to the TV.

WIRELESS HDMI

- "Wireless HDMI" is the only wireless "computer-to-TV" technology that can be used to connect the only "monitor" that is attached to a computer.

WIRELESS HDMI

- By using the 5 Gigahertz radio band, wireless HDMI avoids interference from 2.45 Gigahertz devices such as wireless telephones and microwave ovens.
- However, the 5 Gigahertz radio band has poorer penetration through walls relative to the 2.45 Gigahertz radio band.

WIRELESS HDMI

- You can use wireless HDMI to connect a DVI port in your computer to a DVI port in a monitor or a TV if you install a DVI-to-HDMI adapter at each end

Computer

**HDMI
transmitter
connected
to a
HDMI-to-
DVI
adapter**

Low-
powered
5 GHz
radio
signals
extend the
DVI
connection



TV or Monitor

**HDMI
receiver
connected
to a
HDMI-to-
DVI
adapter**

The TV is a monitor for the computer.
No sound is transmitted to the TV.

WIRELESS HDMI

- At the computer end, the DVI port of the computer connects to the DVI-to-HDMI adapter which connects to a wireless HDMI transmitter
- At the monitor or TV end, the HDMI adapter connects to a HDMI-to-DVM adapter which connects to a wireless HDMI receiver

WIRELESS HDMI

- Advantage of "wireless HDMI"
- It automatically works each time you turn on your computer
- Unlike WiDi, Chromecast, and EZCast which have to be activated by you when you power up your computer

WIRELESS HDMI

- <https://flipboard.com/@momsmags/best-wireless-hdmi-transmitters-for-1080p-reviews-2015-7gta4855z>
- <http://hometheaterreview.com/actiontec-mywirelesstv-wireless-hdmi-kit-reviewed/>

**ACTIONTEC'S
MY WIRELESS TV 2 HD
VIDEO KIT
(MODEL = MWTV2KIT01)**

MWTV2TX, MWTV2RX

MyWirelessTV2 Wireless HD Video Kit

Actiontec's MyWirelessTV2 system replaces cumbersome HDMI cables with wireless technology, so you can easily install an HDTV anywhere you want. This easy-to-use wireless HD video kit wirelessly connects HDTVs to most HDMI cable/satellite set top boxes, Blu-ray players, and consoles up to 100 feet away, even working through walls and floors¹. Actiontec's state-of-the-art technology delivers a spectacular high-definition experience. All of the highest HD videos standards are supported (1080p and super low latency technology), so you can cut the HDMI cords without sacrificing picture and sound quality.

Reseller #: MWTV2KIT01



MWTV2TX, MWTV2RX

Actiontec Multi-Room Wireless HD Connection Kit, Black (MWTV2KIT01)

by [Actiontec](#)



[82 customer reviews](#) | [33 answered questions](#)

List Price: ~~\$199.99~~

Price: **\$179.99** & **FREE Shipping**. [Details](#)

You Save: **\$20.00 (10%)**

In Stock.

Ships from and sold by Amazon.com.

Price: **\$179.99** & **FREE Shipping.**

Product Description

MyWirelessTV2 replaces messy HDMI cables with wireless technology, so you can easily install an HDTV anywhere you want. It wirelessly connects HDTVs to most HDMI cable/satellite set top boxes, Blu-ray players, and consoles up to 150 feet away, even working through walls and floors.

up to 150 feet away, even working through walls and floors.

<http://www.actiontec.com/324.html>

**IOGEAR'S
WIRELESS HDMI
TRANSMITTER
AND RECEIVER KIT
(MODEL = GWHD11)**



IOGEAR Wireless HDMI Transmitter and Receiver Kit GWHD11

by [logear](#)

 8 customer reviews

Price: **\$232.26** + \$6.29 shipping

In stock.

Usually ships within 3 to 4 days.

Ships from and sold by [JM PRIME](#).

Estimated Delivery Date: May 26 - 29 when you choose Expedited at checkout.

- Wireless HDMI Audio/Video Transmitter with Receiver Kit
- Wireless uncompressed Full HD 1080p audio/video streaming with 3D support up to 30ft
- Connect and wirelessly transmit content from a Laptop, Game Console, Blu-ray / DVD player and or Set-top box/DVR/Cable box
- Supports 5.1 channel digital audio. Video Resolutions: 480p, 720p, 1080i and 1080p

Price: **\$232.26** + \$6.29 shipping

up to 30ft

<http://www.iogear.com/product/GWHD11/>

**NYRIUS'
ARIES PRIME DIGITAL
WIRELESS HDMI
TRANSMITTER
AND RECEIVER SYSTEM
(MODEL = NPC5549)**



Nyrius ARIES Prime Digital Wireless HDMI Transmitter & Receiver System for HD 1080p 3D Video Streaming, Laptops...

by Nyrius

\$199.99 ~~\$299.99~~  *Prime*

Price: **\$199.99** & **FREE Shipping.**

WIRELESS RANGE

30 feet open space (clear line of sight)

- Wirelessly send high definition movies, TV shows, games & music from your PC, Blu-ray/DVD player, gaming console or other HDMI device to an HDTV or projector
- Stream uncompressed, true 1080p video and surround sound audio in real-time with zero latency; 3D compatible
- Powerful 30ft digital signal eliminates the hassle of installing messy cables

http://nyrius.com/product/ARIES_Prime_Wireless_HDMI_Transmitter_Receiver_System_for_HD_1080p_3D_Video_Streaming_Laptops_PC_Mac_NPC549.eng-5.html

Questions